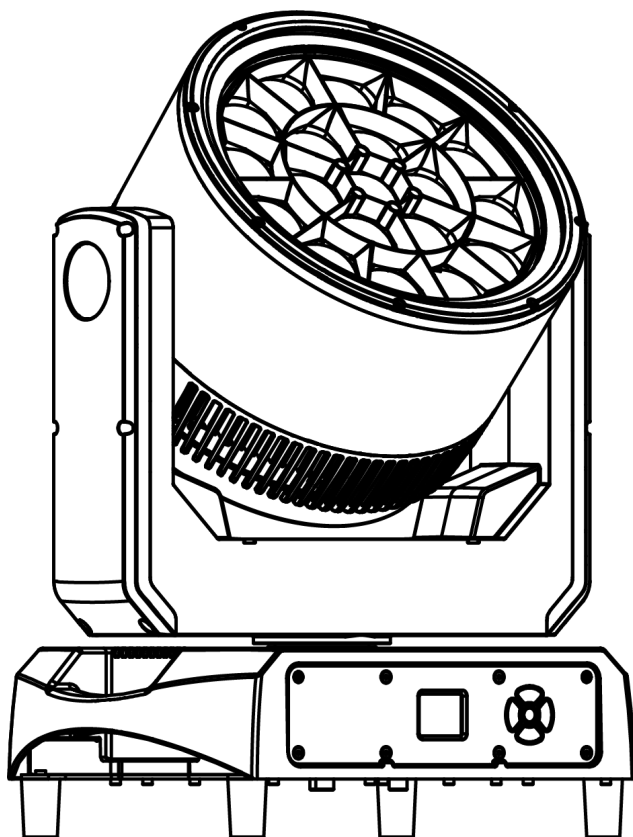




# XWASH-1960-IP-19x60W RGBW WASH ZOOM



User Manual

Please read manual carefully before use

## CONTENTS

1. Safety Instructions .....	3
2. Technical Specification .....	6
3. DMX Set Up .....	7
4. Display .....	8
5. Menu .....	9
6. LUX Data .....	11
7. DMX Channel List .....	12
8. Mounting .....	25
9. Product Size .....	26
10. Attention .....	27
11. Trouble Shooting .....	27
A. The unit does not work, no light and the fan does not work .....	27
B. Not responding to DMX controller .....	27
C. One of the channels is not working well .....	28
12. Fixture Cleaning .....	28

Thank you for choosing our LED lights. Each facility has been rigorously tested. Please check whether the facility has been damaged during transportation. If you find any parts are missing or broken, please contact the manufacturer immediately. Please do not return the product without any notice!

# 1. Safety Instructions



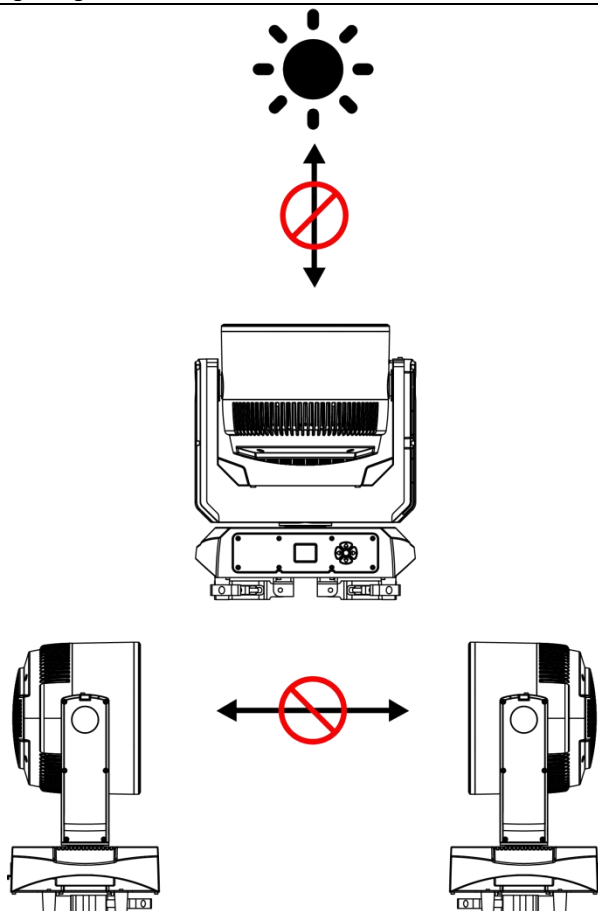
Please read this manual carefully, which includes important information on installation, use and maintenance.

## Attention

- Please keep this USER MANUAL for future consultation. If you sell the facility to another user, be sure that they also receive this USER MANUAL.
- Please open and check in details and make sure there is no transportation damage.
- Before operating, ensure that the voltage and frequency of power supply match the power requirements of the facility.
- It's important to ground the yellow/green conductor to earth in order to avoid electric shock.
- The facility must be installed in a location with adequate ventilation, at least 50 cm from adjacent surfaces. Be sure that no ventilation slots are blocked.
- Make sure the power is disconnected before removing the facility.
- Make sure there are no flammable materials close to the unit while operating as it is fire hazard.
- Use safety cable when fixes this facility. Do not handle the facility by taking its head only, but always by taking its base.
- Maximum ambient temperature is 40 °C . Do not operate it where the temperature is higher than this.
- Please stop using the facility for serious operating problems. Stop using the facility immediately. Never try to repair the facility by yourself, but be a professional technician. Please contact the supplier's service department

for technical support.

- Do not touch any wire during operation as high voltage might be causing electric shock.
- When the housing or lens is damaged, it must be replaced.
- Direct sunlight or any other strong light source penetrating the lens of the light will cause serious internal damage to the facility. During unpacking, installation, use and long-term outdoor idleness, it is forbidden to expose the lens of the facility to direct sunlight or any other strong light source at any angle. It is forbidden to aim the beam of one light directly at another light.



## Caution

There are no accessories available, do not open the housing and try to repair the facilities yourself. Please contact our company for after service.

## Installation

The unit should be mounted via its screw holes on the bracket. Always ensure that the unit is firmly fixed to avoid vibration and slipping while operating. And make sure that the structure to which you are attaching the unit is secure and is able to support a weight of 10 times of the unit's weight. Also always use a

safety cable that can hold 12 times of the weight of the unit when installing the fixture.

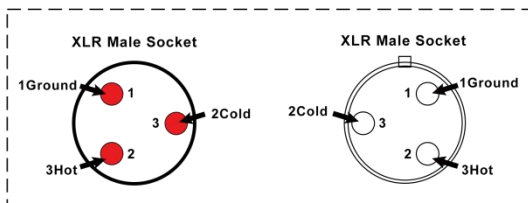
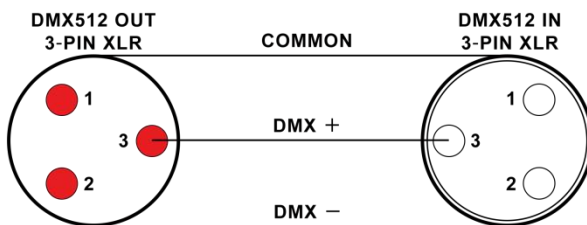
The facility must be installed by professionals, and keep it far away from fire, walking road, and easy touched place.

## 2. Technical Specification

Light Source	19pcs 60W RGBW 4in1 LED		
LED Lifetime	≥ 50000H		
Power Voltage	AC100-240V , 50-60Hz		
Power Consumption	1050W±5%, PF≥0.95, standby 35W		
Beam Angle	4.5°-43°		
Control Modes	DMX512/ Auto/ Sound/ Manual/ RDM/ ArtNet(optional)		
DMX Channel	17/ 21/ 22/ 27/ 30/ 12 Channels		
Protection Rating	IP65		
Display	TFT 1.8' colorful reversible display, CN/EN language		
Power Socket	Power-Con in/ out		
Data In/Out Socket	3-pin XLR sockets		
Housing Material	Die-cast aluminum		
Pan	540° accuracy 2.11°/step, fine-tuning accuracy: 0.008°		
Tilt	270° , accuracy 0.86°/step fine-tuning accuracy: 0.0034°		
Pan/Tilt Resolution	Automatically correct pan/tilt position		
MAX. Connection	3 units (220V, 50Hz) 2.5mm <sup>2</sup> power cable		
Dimension	418*319*522mm		
Net Weight	27kg		
Carton Package	645*405*505mm	1in1	G.W.: 30.6kg
Flight Case	840*560*730mm	2in1	G.W.: 88.15kg

Features	Full light range dimming, 256-level dimming accuracy. fast strobe 1-25Hz. Preset macro colors and macro functions(WASH, ring control, strobe included).
Configuration	Signal cable 1pc
	Power cable 1pc
	Manual 1pc

### 3. DMX Set Up



XLR Pin Configuration
pin 1=Ground
pin 2=Data Compliment (negative)
pin 3=Data true (positive)

**Pin1: Ground                      pin2: Negative                      pin3: Positive**  
**DMX Connection**

To ensure optimal transmission of DMX data, please connect facilities in the shortest way. The connection order won't affect the DMX address code. For example, if the address code is set to 1, no matter where the facility is connected, its address code will not change. This is determined by the principle of the DMX controller.

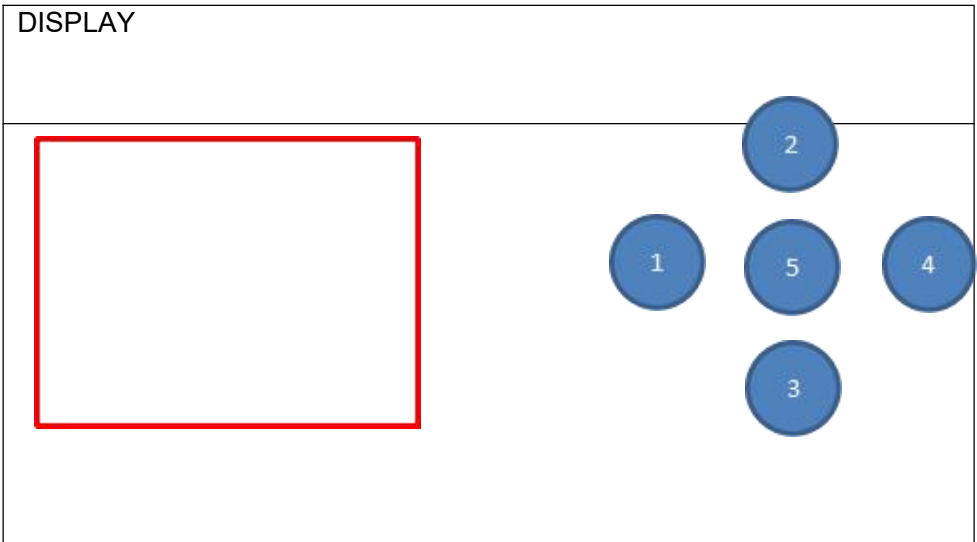
#### Operation method

You can operate in the following three modes:

- Auto mode - the light can automatically complete all color changes
- DMX control mode - each light can be individually controlled by a standard DMX512 console
- Master mode - any light can work as a host in any of the above modes, and the other lights will work synchronously as slaves

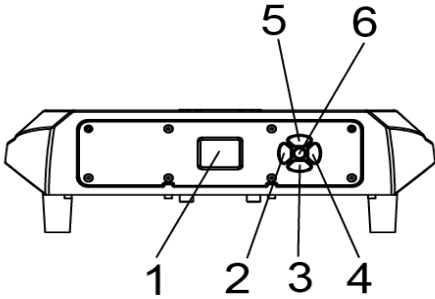
## 4. Display

"ESC" to exit or return to the previous menu, "UP" or "DOWN" to select up and down menus or adjust values, "SAVE" to save the adjusted settings or values, "ENTER" to confirm.

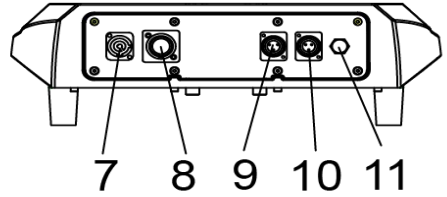


1-ESC 2-UP 3-DOWN 4-ENTER 5-SAVE

## FRONT VIEW



## REAR VIEW



## 5. Menu

1 previous-MENU 2 UP 3 DOWN 4 Lower-MENU 5 ENTER			
First Menu	Submenu	Third Menu	Mark
Menu	1. Pan Degree	1. 540 2. 360	Pan degree options
	2. Mic Sense	001--100	Sound sensitivity adjustment
	3. Language	1. English 2. Chinese	Language choose
	4. No Signal	1. BlackOut 2. Hold	
	5. Fan Set	1. Auto 2. Low 3. High	
	6. ArtNet Set	1. ArtNet Enable: 1. ON 2. OFF 2. Universe: 0--255 3. IP Mode: A. 2.X.X.X auto B. 10.X.X.X auto C. Custom 4. Custom IP: 192.168.000.001	for ArtNet version

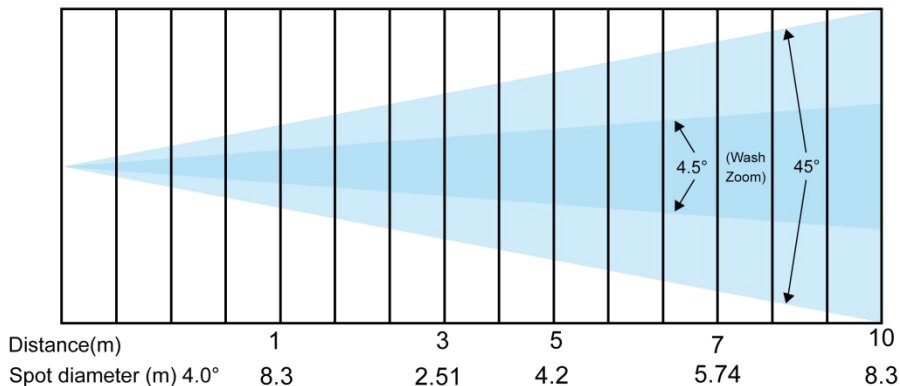
		5. SubNetMask: 255.000.000.000	
	7. Reset	1. Yes	Reset
		2. No	
	8. Default	1. Yes	Default
		2. No	
	9. Adjust	Pass Word: ****	Adjust Pan/ Tilt/ Focus/ Rota to correct angel
		1. Pan: 0--255	
		2. Tilt: 0--255	
		3. Focus: 0--255	Adjust R/G/B/W value to correct White Balance
		4. Red: 0--255	
		5. Green: 0--255	
		6. Blue: 0--255	
	7. White: 0--255		
Addr	001--512		Address setting 001--512
Rever	1. Pan Invert	1. YES    2. NO	Pan Invert
	2. Tilt Invert	1. YES    2. NO	Tilt Invert
	3. Display Invert	1. YES    2. NO	Display Invert
Inform	1. CH Value		Channels info
	2. Tem**°C		LED board temperature
	3. Version.**		Program version
	4. IP:** ** ** **		for ArtNet version
	5. Kask:** ** ** **		for ArtNet version
	6. Use Time		
	7. Clear Time		
Mode	1. DMX512		Control mode setting
	2. Auto		

	3. Sound		
	4. Manual	Master/ Alone	Master/ Alone
		1. Pan: 0--255	Manual control
		2. Tilt: 0--255	
		3. Focus: 0--255	
		4. Red1: 0--255	
		5. Greed1: 0--255	
		6. Blue1: 0--255	
		7. White1: 0--255	
8. Strobe1: 0-255			
Channel	1. 17 Channels	17 Channels	Select Channel mode
	2. 21 Channels	21 Channels	Select Channel mode
	3. 22 Channels	22 Channels	Select Channel mode
	4. 27 Channels	27 Channels	Select Channel mode
	5. 30 Channels	30 Channels	Select Channel mode
	6. 12 Channels	12 Channels	Select Channel mode

## 6. LUX Data

### Beam Angle = 4.5°

R lux	170750	18970	6830	3484	1707
G lux	442500	49166	17700	9030	4425
B lux	87000	9666	3480	1775	870
W lux	615000	68333	24600	12551	6150
4in1 lux	1132500	125833	45300	23112	11325



## 7. DMX Channel List

### ► 17CH Mode

Channel	Function	DMX value	Description
1	Pan	0--255	Pan adjustment
2	Pan Adjust	0--255	Pan fine adjustment
3	Tilt	0--255	Tilt adjustment
4	Tilt adjust	0--255	Tilt fine adjustment
5	Pan/ Tilt Speed	0--255	From fast to slow
6	Zoom	0--255	From narrow to wide
7	Dimmer	0--255	From dark to bright
8	Dimmer adjust	0--255	From dark to bright
9	Strobe	0--3	Strobe dimming
		4--203	Synchronous Strobe speed from slow to fast(1Hz-25Hz)
		204--255	Random Strobe

<b>Channel</b>	<b>Function</b>	<b>DMX value</b>	<b>Description</b>
10	R dimming	0--255	From dark to bright
11	G dimming	0--255	From dark to bright
12	B dimming	0--255	From dark to bright
13	W dimming	0--255	From dark to bright
14	Color Temperature	0--15	No function
		16--35	R 100%, G UP, B 0%
		36--55	R DOWN, G 100%, B 0%
		56--75	R 0%, G 100%, B UP
		76--95	R 0%, G DOWN, B 100%
		96--115	R UP, G 0%, B 100%
		116--135	R100%, G 0%, B DOWN
		136--155	R100%, G UP, B UP
		156--175	R DOWN, G DOWN, B 100%
		176--195	R 100%, G 100%, B 100%, W 100%
		196--200	2800K
		201--205	3200K
		206--210	3500K
		211--215	4000K
		216--220	4500K
		221--225	5000K
		226--230	5500K
		231--235	6000K
		236--240	6500K
		241--245	7000K
246--250	7500K		
251--255	8000K		
15	Pattern	0--9	No function
		10--19	Static pattern1
		20--29	Static pattern2
		..... ( 10	.....

Channel	Function	DMX value	Description
		number 1 pattern)	
		60--69	Static pattern6
		70--79	Dynamic pattern1
		80--89	Dynamic pattern2
		..... (10 number 1 pattern)	.....
		170--179	Dynamic pattern11
		180--255	Dynamic pattern12
16	Dynamic pattern speed (with 15CH)	0--127	Clockwise, From fast to slow
		128--255	Counterclockwise, from slow to fast
17	Functions	0--137	No function
		138--149	PWM output frequency 1K-64K(keep for 3s) 1K,2K,4K,6K,8K,10K,16K,20K,24K,32K,48K,64K
		150--159	Fast dimming
		160--169	Slow dimming(From fast to slow)
		170--250	No function
		251--255	Reset(keep for 3s)

► 21CH Mode

Channel	Function	DMX value	Description
1	Pan	0--255	Pan adjustment
2	Pan adjust	0--255	Pan fine adjustment
3	Tilt	0--255	Tilt adjustment
4	Tilt adjust	0--255	Tilt fine adjustment

<b>Channel</b>	<b>Function</b>	<b>DMX value</b>	<b>Description</b>
5	Pan/ Tilt Speed	0--255	From fast to slow
6	Zoom	0--255	From narrow to wide
7	Functions	0--137	No function
		138--149	PWM Output frequency 1K-64K(Keep for 3 seconds) 1K,2K,4K,6K,8K,10K,16K,20K,24K,32K,48K,64K
		150--159	Fast dimming
		160--169	Slow dimming(From fast to slow)
		170--250	No function
		251--255	Reset(Keep for 3 seconds)
8	Dimmer	0--255	From dark to bright
9	Strobe	0--3	Strobe dimming
		4--203	Synchronous Strobe speed from slow to fast(1Hz-25Hz)
		204--255	Random Strobe
10	R1 LED dimming	0--255	R1 LED dimming
11	G1 LED dimming	0--255	G1 LED dimming
12	B1 LED dimming	0--255	B1 LED dimming
13	W1 LED dimming	0--255	W1 LED dimming
14	R2 LED dimming	0--255	R2 LED dimming
15	G2 LED dimming	0--255	G2 LED dimming
16	B2 LED dimming	0--255	B2 LED dimming
17	W2 LED dimming	0--255	W2 LED dimming
18	R3 LED dimming	0--255	R3 LED dimming
19	G3 LED dimming	0--255	G3 LED dimming
20	B3 LED dimming	0--255	B3 LED dimming
21	W3 LED dimming	0--255	W3 LED dimming

► **22CH Mode**

<b>Channel</b>	<b>Function</b>	<b>DMX value</b>	<b>Description</b>
1	Pan	0--255	Pan adjustment
2	Pan adjust	0--255	Pan fine adjustment
3	Tilt	0--255	Tilt adjustment
4	Tilt adjust	0--255	Tilt fine adjustment
5	Pan/ Tilt Speed	0--255	From fast to slow
6	Zoom	0--255	From narrow to wide
7	Dimmer	0--255	From dark to bright
8	Dimmer adjust	0--255	From dark to bright
9	Strobe	0--3	Strobe dimming
		4--203	Synchronous Strobe speed from slow to fast(1Hz-25Hz)
		204--255	Random Strobe
10	R dimming	0--255	From dark to bright
11	G dimming	0--255	From dark to bright
12	B dimming	0--255	From dark to bright
13	W dimming	0--255	From dark to bright
14	Color Temperature	0--15	No function
		16--35	R100%, G UP, B 0%
		36--55	R DOWN, G 100%, B 0%
		56--75	R0%, G 100%, B UP
		76--95	R0%, G DOWN, B 100%
		96--115	R UP, G 0%, B 100%
		116--135	R100%, G 0%, B DOWN
		136--155	R100%, G UP, B UP
		156--175	R DOWN, G DOWN, B 100%
		176--195	R 100%, G 100%, B 100%, W 100%
		196--200	2800K

Channel	Function	DMX value	Description
		201--205	3200K
		206--210	3500K
		211--215	4000K
		216--220	4500K
		221--225	5000K
		226--230	5500K
		231--235	6000K
		236--240	6500K
		241--245	7000K
		246--250	7500K
		251--255	8000K
15	Macro color	0--9	No function
		10--19	Macro color1
		20--29	Macro color2
		..... (10 number 1 pattern)	.....
		190--199	Macro color19
		200--255	Macro color20
16	Pattern	0--9	No function
		10--19	Static pattern1
		20--29	Static pattern2
		..... (10 number 1 pattern)	.....
		60--69	Static pattern6
		70--79	Dynamic pattern1
		80--89	Dynamic pattern2
		..... (10 number 1 pattern)	.....

Channel	Function	DMX value	Description
		170--179	Dynamic pattern11
		180--255	Dynamic pattern12
17	Dynamic pattern speed(with 16 CH)	0--127	Clockwise, From fast to slow
		128--255	Counterclockwise, from slow to fast
18	Background R	0--255	From dark to bright
19	Background G	0--255	From dark to bright
20	Background B	0--255	From dark to bright
21	Background W	0--255	From dark to bright
22	Functions	0--137	No function
		138--149	PWM output frequency 1K-64K(keep for 3s) 1K,2K,4K,6K,8K,10K,16K,20K,24K,32K,48K,64K
		150--159	Fast dimming
		160--169	Slow dimming(From fast to slow)
		170--250	No function
		251--255	Reset(keep for 3s)

### ► 27CH Mode

Channel	Function	DMX value	Description
1	Pan	0--255	Pan adjustment
2	Pan adjust	0--255	Pan fine adjustment
3	Tilt	0--255	Tilt adjustment
4	Tilt adjust	0--255	Tilt fine adjustment
5	Pan/ Tilt Speed	0--255	From fast to slow
6	Zoom	0--255	From narrow to wide
7	Dimming Mode	0--49	Linear dimming
		50--99	Square-Law dimming

Channel	Function	DMX value	Description
		100--149	Inverse Square-Law dimming
		150--255	S curve dimming
8	Functions	0--137	No function
		138--149	PWM output frequency 1K-64K(keep for 3s) 1K,2K,4K,6K,8K,10K,16K, 20K,24K,32K,48K,64K
		150--159	Fast dimming
		160--169	Slow dimming(From fast to slow)
		170--250	No function
		251--255	Reset(keep for 3s)
		9	Dimmer
10	Dimmer adjust	0--255	Dimmer fine adjustment
11	Strobe	0--3	Strobe dimming
		4--203	Synchronous Strobe speed from slow to fast(1Hz-25Hz)
		204--255	Random Strobe
12	R	0--255	R dimming
13	G	0--255	G dimming
14	B	0--255	B dimming
15	W	0--255	W dimming
16	R1 LED dimming	0--255	R1 LED dimming
17	G1 LED dimming	0--255	G1 LED dimming
18	B1 LED dimming	0--255	B1 LED dimming
19	W1 LED dimming	0--255	W1 LED dimming
20	R2 LED dimming	0--255	R2 LED dimming

Channel	Function	DMX value	Description
21	G2 LED dimming	0--255	G2 LED dimming
22	B2 LED dimming	0--255	B2 LED dimming
23	W2 LED dimming	0--255	W2 LED dimming
24	R3 LED dimming	0--255	R3 LED dimming
25	G3 LED dimming	0--255	G3 LED dimming
26	B3 LED dimming	0--255	B3 LED dimming
27	W3 LED dimming	0--255	W3 LED dimming

► **30CH Mode**

Channel	Function	DMX value	Description
1	Pan	0--255	Pan adjustment
2	Pan adjust	0--255	Pan fine adjustment
3	Tilt	0--255	Tilt adjustment
4	Tilt adjust	0--255	Tilt fine adjustment
5	Pan/ Tilt speed	0--255	From fast to slow
6	Zoom	0--255	Zoom
7	Dimming Mode	0--49	Linear dimming
		50--99	Square-Law dimming
		100--149	Inverse Square-Law dimming
		150--255	S curve dimming
8	Dimmer	0--255	From dark to bright
9	Dimmer adjust	0--255	Dimming fine adjustment
10	Strobe	0--3	Strobe dimming
		4--203	Synchronous Strobe speed from slow to fast(1Hz-25Hz)

Channel	Function	DMX value	Description
		204--255	Random Strobe
11	R	0--255	R dimming
12	R adjust	0--255	R adjust
13	G	0--255	G dimming
14	G adjust	0--255	G adjust
15	B	0--255	B dimming
16	B adjust	0--255	B adjust
17	W	0--255	W dimming
18	W adjust	0--255	W adjust
19	Color Temperature	0--15	No function
		16--35	R100%, G UP, B 0%
		36--55	R DOWN, G 100%, B 0%
		56--75	R0%, G 100%, B UP
		76--95	R0%, G DOWN, B 100%
		96--115	R UP, G 0%, B 100%
		116--135	R100%, G 0%, B DOWN
		136--155	R100%, G UP, B UP
		156--175	R DOWN, G DOWN, B 100%
		176--195	R 100%, G 100%, B 100%,W100%
		196--200	2800K
		201--205	3200K
		206--210	3500K
		211--215	4000K
		216--220	4500K
		221--225	5000K
		226--230	5500K
		231--235	6000K
		236--240	6500K
241--245	7000K		
246--250	7500K		
251--255	8000K		
20	Macro color	0--9	No function

Channel	Function	DMX value	Description
		10--19	Macro color1
		20--29	Macro color2
		..... ( 10 number 1 pattern )	.....
		190--199	Macro color19
		200--255	Macro color20
21	Pattern	0--9	No function
		10--19	Static pattern1
		20--29	Static pattern2
		..... ( 10 number 1 pattern )	.....
		60--69	Static pattern6
		70--79	Dynamic pattern 1
		80--89	Dynamic pattern2
		..... ( 10 number 1 pattern )	.....
		170--179	Dynamic pattern11
		180--255	Dynamic pattern12
22	Dynamic pattern speed(with 21CH)	0--127	Clockwise, From fast to slow
		128--255	Counterclockwise, from slow to fast
23	Dynamic Pattern Fade	0--255	Pattern Fade
24	Background dimming	0--255	Background 0-100% dimming
25	Background Strobe	0--255	Background Strobe
26	Pattern Background R	0--255	Pattern BG R
27	Pattern Background G	0--255	Pattern BG G

Channel	Function	DMX value	Description
28	Pattern Background B	0--255	Pattern BG B
29	Pattern Background W	0--255	Pattern BG W
30	Functions	0--137	No function
		138--149	PWM output frequency 1K-64K(keep for 3s) 1K,2K,4K,6K,8K,10K,16K, 20K,24K,32K,48K,64K
		150--159	Fast dimming
		160--169	Slow dimming(From fast to slow)
		170--250	No function
		251--255	Reset(keep for 3s)

► **12CH Mode(Regular DMX512 Signal Control+ArtNet Signal Control)**

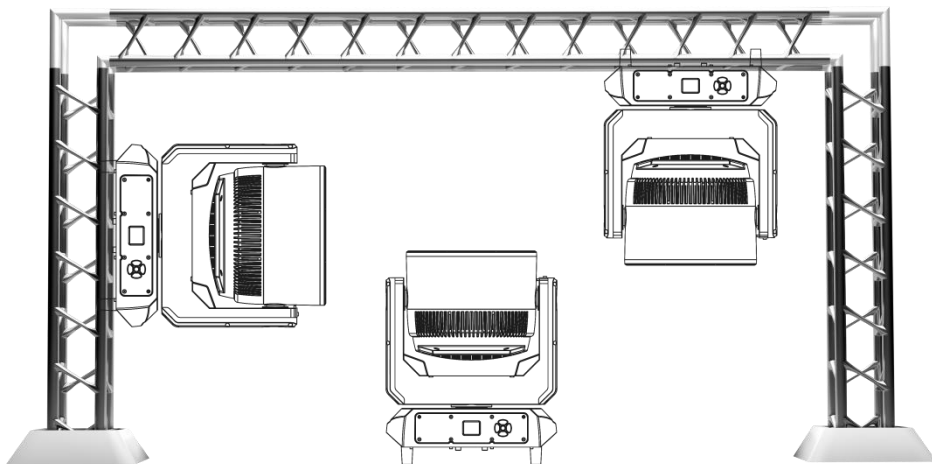
Channel	Function	DMX value	Description
<b>Regular DMX512 Signal Control</b>			
1	Pan	0--255	Pan adjustment
2	Pan Adjust	0--255	Pan fine adjustment
3	Tilt	0--255	Tilt adjustment
4	Tilt Adjust	0--255	Tilt fine adjustment
5	Pan/ Tilt Speed	0--255	From fast to slow
6	Zoom	0--255	From narrow to wide
7	Functions	0--137	No function
		138--149	PWM output frequency 1K-64K(keep for 3s) 1K,2K,4K,6K,8K,10K,16K, 20K,24K,32K,48K,64K
		150--159	Fast dimming
		160--169	Slow dimming(From fast to slow)
		170--250	No function
		251--255	Reset(keep for 3s)

<b>Channel</b>	<b>Function</b>	<b>DMX value</b>	<b>Description</b>
8	Dimming Mode	0--49	Linear dimming
		50--99	Square-Law dimming
		100--149	Inverse Square-Law dimming
		150--255	S curve dimming
9	Dimmer	0--255	From dark to bright
10	Dimmer adjust	0--255	From dark to bright
11	Strobe	0--3	Strobe dimming
		4--203	Synchronous Strobe speed from slow to fast(1Hz-25Hz)
		204--255	Random Strobe
<b>ArtNet Signal Control</b>			
1	R1 LED dimming	0--255	R1 LED dimming
2	G1 LED dimming	0--255	G1 LED dimming
3	B1 LED dimming	0--255	B1 LED dimming
4	W1 LED dimming	0--255	W1 LED dimming
5	R2 LED dimming	0--255	R2 LED dimming
6	G2 LED dimming	0--255	G2 LED dimming
7	B2 LED dimming	0--255	B2 LED dimming
8	W2 LED dimming	0--255	W2 LED dimming
9	R3 LED dimming	0--255	R3 LED dimming
10	G3 LED dimming	0--255	G3 LED dimming
11	B3 LED dimming	0--255	B3 LED dimming
12	W3 LED dimming	0--255	W3 LED dimming

## 8. Mounting

When installing the unit, the trussing or area of installation must be able to hold 10 times the weight without any deformation. When installing the unit must be secured with a secondary safety attachment, e.g. an appropriate safety cable. Never stand directly under the facility while mounting, uninstalling or repairing facilities.

High-altitude mounting requires for extensive experience, including working load limits calculating , installation material, and periodic safety check of installation materials and facilities. If you're lack of mentioned qualifications, do not attempt the installation yourself. These installation should be checked by a skilled person annually.

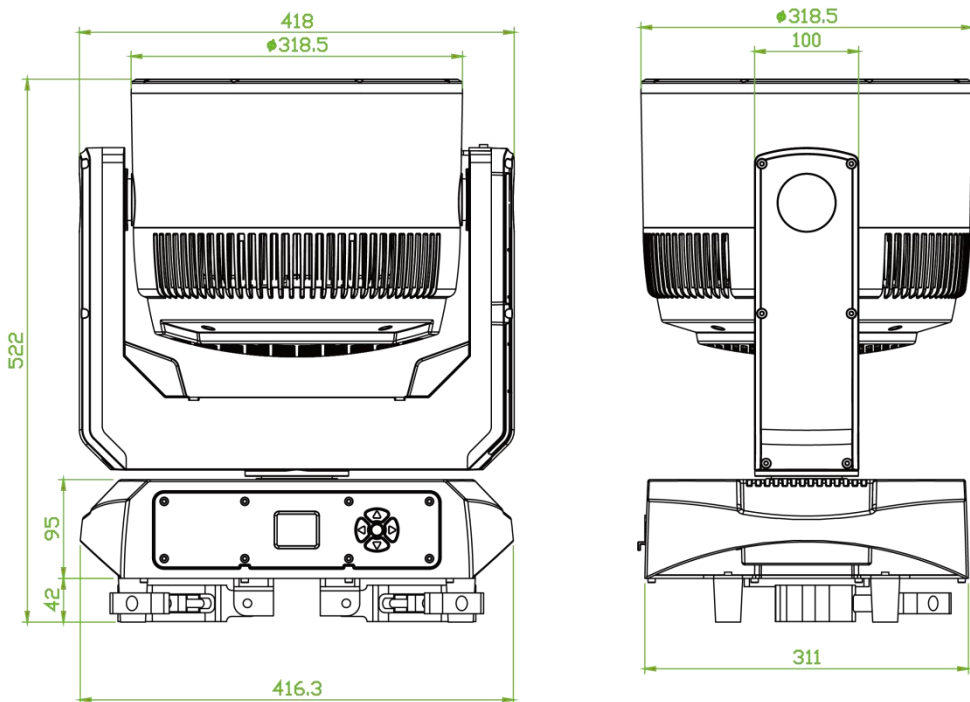


XWASH-1960-IP works properly in above different mounting, hanging upside-down from a ceiling, sideways on trussing, or set on smooth horizontal surface. Be sure this facility is at least 12m (40ft) away from flammable

materials (decoration etc.). Always use and install the safety cable to prevent accidental damage or injury from the facility failure. Never use handles for secondary attachment.

**NOTICE:** The suitable environment temperature of the facility is from  $-10^{\circ}\text{C}$  to  $45^{\circ}\text{C}$ . Do not place this facility in an environment where the temperatures are under or above the temperatures stated. This will help the fixture run at its best and extend the lifetime.

## 9. Product Size



## 10. Attention

1. When the facility is powered on, please avoid looking directly at the facility.
2. When assembling/ replacing LED, be sure to cut off the main power of facilities before opening the cover upon the LED board.

## 11. Trouble Shooting

Following are a few common problems that may occur during operation. Here are some suggestions for easy troubleshooting:

### **A. The unit does not work, no light and the fan does not work**

1. Check the status of power connection and fuse.
2. Check the voltage.
3. Check the power indicator.

### **B. No response to DMX controller**

1. If the display screen flashes, check the DMX signal connector and signal line whether the connection is correct.
1. If the display screen does not flash, but no response to channel control, check whether the address code or channel setting is correct.
1. If the DMX signal transmission is intermittent, check if the XLR and DMX cables are in good condition.
2. Try using another controller.
3. Check if the DMX cables is too close to the high-voltage wire, which may damage or interfere with the signal circuit.
6. The facility has not completed the self-check.

## **C. One of the channels is not working well**

1. The stepper motor might be damaged or the cable connected to the PCB is broken.
2. The motor's drive IC on the PCB might be out of condition.

## **12. Fixture Cleaning**

The lens and diffuser should be clean frequently to get better light effect. Wipe frequency according to the environment. Humidity, excessive smoke, and dirty environment will make lens dusty.

- Use soft cloth and special glass cleaner.
- Wipe lens surface at least every 30 days.
- Use vacuum cleaners or air guns to clean the interior structure of the facility, at least twice a year.



Warning:

To avoid the danger of lighting strikes and fire, please do not place the facility in a humid environment. Do not disassemble it without permission, otherwise, the manufacturer will not provide warranty. If the facility fails, please contact the manufacturer first.

## Product Warranty Card

Product: 19x60W RGBW WASH ZOOM

Model NO.: XWASH-1960-IP

Manufacture Date:

User:

Purchase Date:

Manufacturer:

Sales Store:

Address:

ATTN.:

ATTN.:

Phone:

Phone:

Note: The above blank must be filled in and sealed by the end user or sales point, otherwise no warranty will be provided. (Below please check the warranty period and terms)

Warranty Period: This facility is warranted for 2 years from the date of purchase.

Warranty Terms:

1. Except for man-made damage and natural disasters
2. If the facility fails to function properly during the warranty period, please contact our after service department or our local distributor directly.
  - 1) Fail to present a valid warranty card.
  - 2) Omissions, alterations, and trade sales names on the warranty card.
  - 3) Failures and damage caused by force majeure.
  - 4) Failures and damage caused during transportation and handling.
  - 5) Failures and damage caused by failure to follow the instructions for use.
  - 6) Failures and damage caused by disassembly, repair, and modification of the product without the manufacturer's authorization or by non-professionals.
  - 7) Failures caused by the use of accessories not approved by the factory or not matched by the factory.

**▲ Thank you for reading this manual. Please keep it for future reference.**