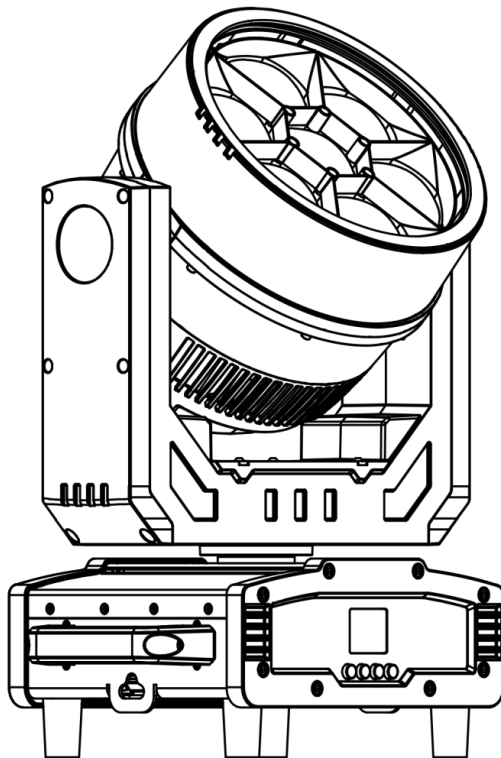




BEYE-760-7*60W 4inl Bee Eye Moving Head



USER MANUAL

Please read manual carefully before use

CONTENTS

1. Safety Instructions	3
2. Technical Specification	5
3. DMX Set Up	6
4. Display	7
5. Menu	8
6. LUX Data	11
7. DMX Channel List	12
8. Mounting	32
9. Product Size	33
10. Attention	34
11. Trouble Shooting	34
A. The unit does not work, no light and the fan does not work	34
B. Not responding to DMX controller	34
C. One of the channels is not working well	35
12. Fixture Cleaning	35

Thank you for choosing our LED lights. Each facility has been rigorously tested. Please check whether the facility has been damaged during transportation. If you find any parts are missing or broken, please contact the manufacturer immediately. Please do not return the product without any notice!

1.Safety Instructions



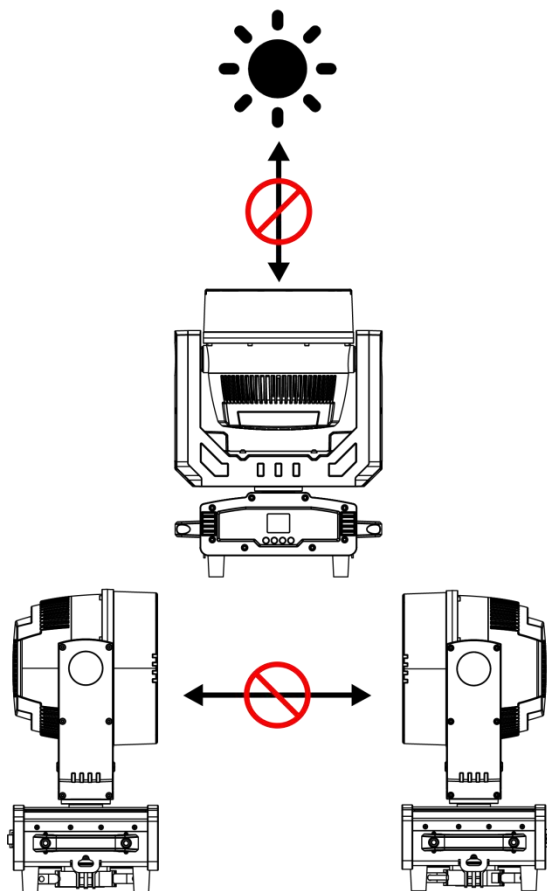
Please read this manual carefully, which includes important information on installation, use and maintenance.

Attention

- Please keep this USER MANUAL for future consultation. If you sell the facility to another user, be sure that they also receive this USER MANUAL.
- Please open and check in details and make sure there is no transportation damage.
- Before operating, ensure that the voltage and frequency of power supply match the power requirements of the facility.
- It's important to ground the yellow/green conductor to earth in order to avoid electric shock.
- The facility must be installed in a location with adequate ventilation, at least 50 cm from adjacent surfaces. Be sure that no ventilation slots are blocked.
- Make sure the power is disconnected before removing the facility.
- Make sure there are no flammable materials close to the unit while operating as it is fire hazard.
- Use safety cable when fixes this facility. Do not handle the facility by taking its head only, but always by taking its base.
- Maximum ambient temperature is 40°C. Do not operate it where the temperature is higher than this.
- Please stop using the facility for serious operating problems. Stop using the facility immediately. Never try to repair the facility by yourself, but be a professional technician. Please contact the supplier's service department

for technical support.

- Do not touch any wire during operation as high voltage might be causing electric shock.
- When the housing or lens is damaged, it must be replaced.
- Direct sunlight or any other strong light source penetrating the lens of the light will cause serious internal damage to the facility. During unpacking, installation, use and long-term outdoor idleness, it is forbidden to expose the lens of the facility to direct sunlight or any other strong light source at any angle. It is forbidden to aim the beam of one light directly at another light.



Caution

There are no accessories available, do not open the housing and try to repair the facilities yourself. Please contact our company for after service.

Installation

The unit should be mounted via its screw holes on the bracket. Always ensure that the unit is firmly fixed to avoid vibration and slipping while operating. And make sure that the structure to which you are attaching the unit is secure and is able to support a weight of 10 times of the unit's weight. Also always use a safety cable that can hold 12 times of the weight of the unit when installing the fixture.

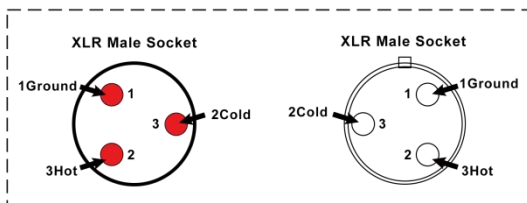
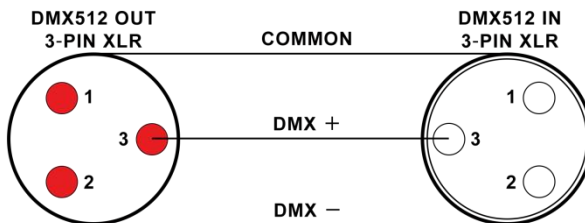
The facility must be installed by professionals, and keep it far away from fire, walking road, and easy touched place.

2. Technical Specification

Light Source	7*60W 4 in 1 RGBW LED
LED Lifetime	≥ 50000H
Power Voltage	AC100-240V , 50-60Hz
Power Consumption	410W
Beam Angle	3.5°-45°
Control Modes	DMX512/ Auto/ Sound/ Master/ Manual/ RDM
DMX Channel	21/ 23/ 35/ 42/ 49/ 51/ 56 Channel
Protection Rating	IP65
Display	TFT Display
Data In/ Out Socket	3-pin/ 5-pin XLR sockets
Power Socket	Power-Con in/ out

Housing Material	Aluminium		
Pan	540°accuracy 2.11°/step, fine-tuning accuracy: 0.008°		
Tilt	270°accuracy 0.86°/step, fine-tuning accuracy: 0.0034°		
Pan/Tilt Resolution	Automatically correct pan/tilt position		
MAX. Connection	8 units (240V, 50Hz) 2.5mm ² power cable		
	4 units (100V, 60Hz) 2.5mm ² power cable		
Dimension	349*259*484mm		
Net Weight	14.5kg		
Carton Package	445*355*590mm	1in1	GW: 16.5kg
Flight Case	800*722*665mm	4in1	GW: 94.5kg
Features	Full light range dimming, 65536-level dimming accuracy. fast strobe 1-25Hz. Single control of LED. three-in-one effects of wash, beam, and bee eye. preset multiple color macro and effect functions		
Configuration	Signal cable	1pc	
	Power cable	1pc	
	Manual	1pc	

3. DMX Set Up



XLR Pin Configuration
pin 1=Ground
pin 2=Data Compliment (negative)
pin 3=Data true (positive)

Pin1: Ground

pin2: Negative

pin3: Positive

DMX Connection

To ensure optimal transmission of DMX data, please connect facilities in the shortest way. The connection order won't affect the DMX address code. For example, if the address code is set to 1, no matter where the facility is connected, its address code will not change. This is determined by the principle of the DMX controller.

Operation method

You can operate in the following three modes:

- Auto mode - the light can automatically complete all color changes
- DMX control mode - each light can be individually controlled by a standard DMX512 console
- Master mode - any light can work as a host in any of the above modes, and the other lights will work Synchronously as slaves

4. Display

There are four buttons on the LED panel: MENU, UP, DOWN, and ENTER.



MENU



UP



DOWN

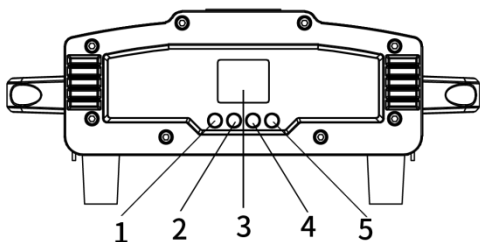


ENTER

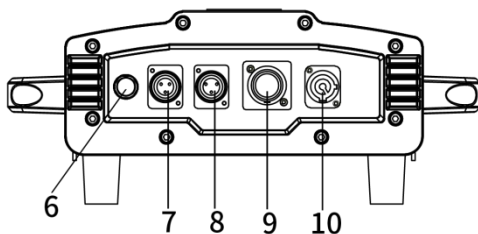
Please press the "MENU" to exit or return to the previous menu, press "UP" or

"DOWN" to select the upper and lower menus or adjust the values, and press "ENTER" to confirm.

FRONT VIEW



REAR VIEW



After powering on, the facility will automatically return to the last operation when it was powered off, then get into standby status. For more details, please refer to the information below↓

5. Menu

1-MENU 2-UP 3-DOWN 4-ENTER			
Menu	1.Pan Degree	1.540 2.360	Horizontal running angle selection
	2.Mic Sense	001-100	Sound sensitivity set
	3.Language	1.English	Language selection
		2.Chinese	
4.Reset	1.Yes		

		2.No	
	5.Default	1.Yes	Factory default
		2.No	
	6.Adjust	Pass Word: ****	<p>Change Pan/ Tilt/ Focus/ Rota value to correct the angle.</p> <p>Change the R/ G/ B/ W value to adjust the white balance</p>
		1.Pan:0-255	
		2.Tilt:0-255	
		3.Focus:0-255	
		4.Rota:0-255	
		5.Red: 0-255	
		6.Green: 0-255	
		7.Blue: 0-255	
		8.White: 0-255	
Address	001-512		Address code from 001-512
Rever	1.Pan	1.YES 2.NO	X/Y/Display font forward and reverse switching
	2.Tilt	1.YES 2.NO	
	3.Display	1.YES 2.NO	
Inform		1.CH Value	Show all CH information
		2.Soft V1.1	Program version number
		3.Tem**°C	Show LED display

			board	
Mode	1.DMX512		Select mode	
	2.Auto			1.Master
				2.Alone
	3.Sound			1.Master
				2.Alone
	4.Manual	1.Master		1.Pan:0-255
			2.Tilt:0-255	
			3.Focus:0-255	
			4.Rota:0-255	
		2.Alone	5.Red: 0-255	
			6.Green: 0-255	
			7.Blue: 0-255	
8.White: 0-255				
		9.Strobe: 0-255		
Channel	1.21Channels		Select CH mode	
	2.23Channels			
	3.35Channels			
	4.42Channels			
	5.49Channels			
	6.51Channels			
	7.56Channels			

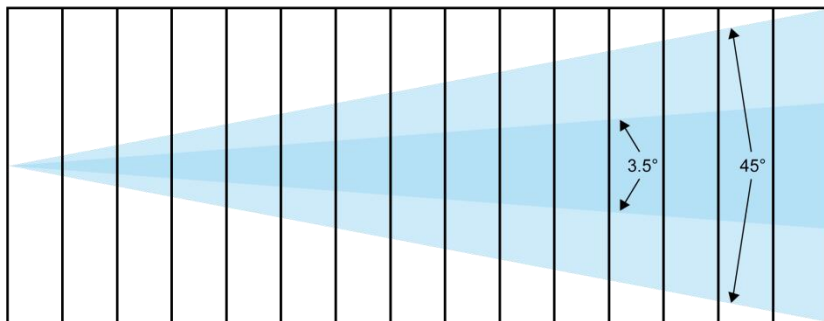
6. LUX Data

Zoom range = 3.5°

R lux	13600	11900	4460	1920
G lux	40300	33800	12400	5320
B lux	8400	6150	2310	1000
W lux	53600	39800	14600	6350
4in1 lux	109000	85300	31500	13600

Zoom range = 45°

R lux	5360	716	270	123
G lux	16000	2180	814	364
B lux	3180	435	162	71
W lux	19500	2660	890	443
4in1 lux	412000	5580	2090	935



Distance(m)		1	3	5	8
Spot diameter (m) 3.5°		0.28	0.50	0.66	1.00
Spot diameter (m) 45°		0.85	2.15	3.4	

7. DMX Channel List

► 21CH Mode

CH	Function	DMX Value	Description
1	Red	0-255	Red dimming
2	Red adjustment	0-255	Red adjustment
3	Green	0-255	Green dimming
4	Green adjustment	0-255	Green adjustment
5	Blue	0-255	Blue dimming
6	Blue adjustment	0-255	Blue dimming
7	White	0-255	White dimming
8	White adjustment	0-255	White adjustment
9	Color temperature	0-15	No
		16-35	R 100%, G UP, B 0%
		36-55	R DOWN, G 100%, B 0%
		56-75	R 0%, G 100%, B UP
		76-95	R 0%, G DOWN, B 100%
		96-115	R UP, G 0%, B 100%
		116-135	R 100%, G 0%, B DOWN
		136-155	R 100%, G UP, B UP

CH	Function	DMX Value	Description
		156-175	R DOWN, G DOWN, B 100%
		176-195	R 100%G 100%B 100%W 100%
		196-200	2800 K
		201-205	3200 K
		206-210	3500 K
		211-215	4000 K
		216-220	4500 K
		221-225	5000 K
		226-230	5500 K
		231-235	6000 K
		236-240	6500 K
		241-245	7000 K
		246-250	7500 K
		251-255	8000 K
10	Macro color	0-9	No function
		10-23	Macro color 1
		24-37	Macro color 2
	(14 numbers 1 macro color)
		234-247	Macro color 16
		248-255	Macro color 17
11	Strobe	0-3	Strobe dimming
		4-203	Synchronous strobe speed slow to fast (1 Hz-25 Hz)

CH	Function	DMX Value	Description
		204-255	Random strobe
12	Dimmer	0-255	Dark to bright linear dimming
13	Dimmer adjust	0-255	Dimmer adjustment control
14	Pan adjustment	0-255	Pan adjustment
15	Pan Fine-tuning	0-255	Pan Fine-tuning
16	Tilt adjustment	0-255	Tilt adjustment
17	Tilt Fine-tuning	0-255	Tilt Fine-tuning
18	Dimming Mode	0-49	Mode -1
		50-99	Mode -2
		100-149	Mode -3
		150-255	Mode -4
19	Reset	0-250	No function
		251-255	Reset within 5s
20	Zoom	0-255	From narrow to wide
21	Lens rotation	0-155	0~60°
		156-205	Clockwise infinite rotation
		206-255	Counterclockwise rotation

► 23CH Mode

CH	Function	DMX Value	Description
1	Pan adjustment	0-255	Pan adjustment
2	Pan Fine-tuning	0-255	Pan Fine-tuning
3	Tilt adjustment	0-255	Tilt adjustment
4	Tilt Fine-tuning	0-255	Tilt Fine-tuning

CH	Function	DMX Value	Description
5	Pan / Tilt speed	0-255	Speed from fast to slow
6	Zoom	0-255	from narrow to wide
7	Lens rotation	0-155	0~60°
		156-205	Clockwise infinite rotation from fast to slow
		206-255	Counterclockwise rotation from slow to fast
8	Dimmer	0-255	Dark to bright linear dimming
9	Strobe	0-3	Strobe dimming
		4-203	Synchronous strobe speed From slow to fast (1 Hz-25 Hz)
		204-255	Random strobe
10	R dimming	0-255	From dark to bright
11	G dimming	0-255	From dark to bright
12	B dimming	0-255	From dark to bright
13	W dimming	0-255	From dark to bright
14	Color temperature	0 -15	No function
		16-35	R 100%, G UP, B 0%
		36-55	R DOWN, G 100%, B 0%
		56-75	R 0%, G 100%, B UP
		76-95	R 0%, G DOWN, B 100%
		96-115	R UP, G 0%, B 100%
		116-135	R 100%, G 0%, B DOWN
		136-155	R 100%, G UP, B UP
		156-175	R DOWN, G DOWN, B 100%
		176-195	R 100%, G 100%, B 100%, W 100%
		196-200	2800 K
		201-205	3200 K
		206-210	3500 K
		211-215	4000 K
		216-220	4500 K
		221-225	5000 K
226-230	5500 K		
231-235	6000 K		
236-240	6500 K		

CH	Function	DMX Value	Description
		241-245	7000 K
		246-250	7500 K
		251-255	8000 K
15	Macro color	0-9	No function
		10-23	Macro color 1
		24-37	Macro color 2
	(14 numbers 1 macro color)
		234-247	Macro color 16
		248-255	Macro color 17
16	Static Pattern	0-9	No function
		10-19	Monochrome Pattern 1
		20-29	Monochrome Pattern 2
	
		120-129	Monochrome Pattern 12
		130-145	Mixed color Pattern 1
		146-161	Mixed color Pattern 2
	
		226-241	Mixed color Pattern 7
242-255	Mixed color Pattern 8		
17	Dynamic Pattern	0-9	No function
		10-17	Monochrome Dynamic Pattern 1
		18-25	Monochrome Dynamic Pattern 2
	(8 numbers 1 macro color)
		170-177	Monochrome Pattern 21
		178-185	Mixed color Dynamic Pattern 1
		186-193	Mixed color Dynamic Pattern 2
	(8 numbers 1 macro color)
		242-249	Mixed color Dynamic Pattern 9
250-255	Mixed color Dynamic Pattern 10		
18	Pattern speed	0-127	Forward, from fast to slow (with 17 CH)
		128-255	Reverse, from slow to fast (with 17 CH)
19	Back color R	0-255	Dark to bright linear dimming
20	Back color G	0-255	Dark to bright linear dimming

CH	Function	DMX Value	Description
21	Back color B	0-255	Dark to bright linear dimming
22	Back color W	0-255	Dark to bright linear dimming
23	Reset	0-250	No function
		251-255	Reset within 5s

► **35CH Mode**

CH	Function	DMX Value	Description
1	Red	0-255	Red dimming
2	Red adjustment	0-255	Red adjustment
3	Green	0-255	Green dimming
4	Green adjustment	0-255	Green adjustment
5	Blue	0-255	Blue dimming
6	Blue adjustment	0-255	Blue dimming
7	White	0-255	White dimming
8	White adjustment	0-255	White adjustment
9	Color temperature	0 -15	No function
		16-35	R100%, G UP, B0%
		36-55	R DOWN, G100%, B0%
		56-75	R 0%, G 100%, B UP
		76-95	R 0%, G DOWN, B 100%
		96-115	R UP, G 0%, B 100%
		116-135	R 100%, G 0%, B DOWN
		136-155	R 100%, G UP, B UP
		156-175	R DOWN, G DOWN, B 100%
		176-195	R 100%, G 100%, B 100%, W 100%
		196-200	2800 K
		201-205	3200 K
		206-210	3500 K
		211-215	4000 K
		216-220	4500 K
221-225	5000 K		
226-230	5500 K		
231-235	6000 K		

CH	Function	DMX Value	Description
		236-240	6500 K
		241-245	7000 K
		246-250	7500 K
		251-255	8000 K
10	Macro color	0-9	No function
		10-23	Macro color 1
		24-37	Macro color 2
	(14 numbers 1 macro color)
		234-247	Macro color 16
		248-255	Macro color 17
11	Strobe	0-3	Strobe dimming
		4-203	Synchronous strobe speed slow to fast (1 Hz-25 Hz)
		204-255	Random strobe
12	Dimmer	0-255	Dark to bright linear dimming
13	Dimmer adjust	0-255	Dimmer adjustment control
14	Pan adjustment	0-255	Pan adjustment
15	Pan Fine-tuning	0-255	Pan Fine-tuning
16	Tilt adjustment	0-255	Tilt adjustment
17	Tilt Fine-tuning	0-255	Tilt Fine-tuning
18	Dimming Mode	0-49	Mode -1
		50-99	Mode -2
		100-149	Mode -3
		150-255	Mode -4
19	Reset	0-250	No function
		251-255	Reset within 5s
20	Zoom	0-255	from narrow to wide
21	Lens rotation	0-155	0~60°
		156-205	Clockwise infinite rotation
		206-255	Counterclockwise rotation
22	Dynamic Pattern	0-9	No function
		10-17	Monochrome Dynamic Pattern 1

CH	Function	DMX Value	Description
		18-25	Monochrome Dynamic Pattern 2
	(8 numbers 1 macro color)
		170-177	Monochrome Pattern 21
		178-185	Mixed color Dynamic Pattern 1
		186-193	Mixed color Dynamic Pattern 2
	(8 numbers 1 macro color)
		242-249	Mixed color Dynamic Pattern 9
		250-255	Mixed color Dynamic Pattern 10
23	Pattern effect speed(with 22CH)	0-9	No function
		10-132	Forward, from fast to slow (with 22 CH)
		133-255	Reverse, from slow to fast (with 22 CH)
24	Pattern fade	0-255	Pattern effect fade
25	Background R	0-255	Pattern effect R
26	Background G	0-255	Pattern effect G
27	Background B	0-255	Pattern effect B
28	Background W	0-255	Pattern effect W
29	Pattern dimming	0-255	Pattern 0-100% dimming
30	Background dimming	0-255	Background 0-100% dimming
31	Pattern change	0-255	Pattern change control
32	Pattern movement	0-255	Pattern movement (with 22 CH)
33	Prospects strobe	0-255	Prospects strobe
34	Background strobe	0-255	Background strobe
35	Background Pattern selection	0-255	Background selection

► **42CH Mode**

CH	Function	DMX Value	Description
1	Red	0-255	Red dimming

CH	Function	DMX Value	Description
2	Red adjustment	0-255	Red adjustment
3	Green	0-255	Green dimming
4	Green adjustment	0-255	Green adjustment
5	Blue	0-255	Blue dimming
6	Blue adjustment	0-255	Blue dimming
7	White	0-255	White dimming
8	White adjustment	0-255	White adjustment
9	Color temperature	0 -15	No function
		16-35	R100%, G UP, B 0%
		36-55	R DOWN, G 100%, B 0%
		56-75	R 0%, G 100%, B UP
		76-95	R0%, G DOWN, B 100%
		96-115	R UP, G0%, B100%
		116-135	R 100%, G 0%, B DOWN
		136-155	R100%, G UP, B UP
		156-175	R DOWN, G DOWN, B 100%
		176-195	R 100%G 100%B 100%W 100%
		196-200	2800 K
		201-205	3200 K
		206-210	3500 K
		211-215	4000 K
		216-220	4500 K
		221-225	5000 K
		226-230	5500 K
		231-235	6000 K
236-240	6500 K		
241-245	7000 K		
246-250	7500 K		
251-255	8000 K		
10	Macro color	0-9	No function

CH	Function	DMX Value	Description
		10-23	Macro color 1
		24-37	Macro color 2
	(14 numbers 1 macro color)
		234-247	Macro color 16
		248-255	Macro color 17
11	Strobe	0-3	Strobe dimming
		4-203	Synchronous strobe speed slow to fast (1 Hz-25 Hz)
		204-255	Random strobe
12	Dimmer	0-255	Dark to bright linear dimming
13	Dimmer adjust	0-255	Dimmer adjustment control
14	Pan adjustment	0-255	Pan adjustment
15	Pan Fine-tuning	0-255	Pan Fine-tuning
16	Tilt adjustment	0-255	Tilt adjustment
17	Tilt Fine-tuning	0-255	Tilt Fine-tuning
18	Dimming Mode	0-49	Mode -1
		50-99	Mode -2
		100-149	Mode -3
		150-255	Mode -4
19	Reset	0-250	No function
		251-255	Reset within 5 s
20	Zoom	0-255	from narrow to wide
21	Lens rotation	0-155	0~60°
		156-205	Clockwise infinite rotation
		206-255	Counter clockwise rotation
22	R 1 LED dimming	0-255	R 1 LED dimming
23	G 1 LED dimming	0-255	G 1 LED dimming
24	B 1 LED dimming	0-255	B 1 LED dimming
25	R 2 LED dimming	0-255	R 2 LED dimming
26	G 2 LED dimming	0-255	G 2 LED dimming
27	B 2 LED dimming	0-255	B 2 LED dimming

CH	Function	DMX Value	Description
28
40	R 7 LED dimming	0-255	R 7 LED dimming
41	G 7 LED dimming	0-255	G 7 LED dimming
42	B 7 LED dimming	0-255	B 7 LED dimming

► **49CH Mode**

CH	Function	DMX Value	Description
1	Red	0-255	Red dimming
2	Red adjustment	0-255	Red adjustment
3	Green	0-255	Green dimming
4	Green adjustment	0-255	Green adjustment
5	Blue	0-255	Blue dimming
6	Blue adjustment	0-255	Blue dimming
7	White	0-255	White dimming
8	White adjustment	0-255	White adjustment
9	Color temperature	0 -15	No function
		16-35	R100%, G UP, B 0%
		36-55	R DOWN, G 100%, B 0%
		56-75	R 0%, G 100%, B UP
		76-95	R0%, G DOWN, B 100%
		96-115	R UP, G0%, B100%
		116-135	R 100%, G 0%, B DOWN
		136-155	R100%, G UP, B UP
		156-175	R DOWN, G DOWN, B 100%
		176-195	R 100%G 100%B 100%W 100%
		196-200	2800 K
		201-205	3200 K
		206-210	3500 K
211-215	4000 K		

CH	Function	DMX Value	Description
		216-220	4500 K
		221-225	5000 K
		226-230	5500 K
		231-235	6000 K
		236-240	6500 K
		241-245	7000 K
		246-250	7500 K
		251-255	8000 K
10	Macro color	0-9	No function
		10-23	Macro color 1
		24-37	Macro color 2
	(14numbers 1 macro color)
		234-247	Macro color 16
		248-255	Macro color 17
11	Strobe	0-3	Strobe dimming
		4-203	Synchronous strobe speed slow to fast (1 Hz-25 Hz)
		204-255	Random strobe
12	Dimmer	0-255	Dark to bright linear dimming
13	Dimmer adjust	0-255	Dimmer adjustment control
14	Pan adjustment	0-255	Pan adjustment
15	Pan Fine-tuning	0-255	Pan Fine-tuning
16	Tilt adjustment	0-255	Tilt adjustment
17	Tilt Fine-tuning	0-255	Tilt Fine-tuning
18	Dimming Mode	0-49	Mode -1
		50-99	Mode -2
		100-149	Mode -3
		150-255	Mode -4
19	Reset	0-250	No function
		251-255	Reset within 5 s
20	Zoom	0-255	from narrow to wide

CH	Function	DMX Value	Description
21	Lens rotation	0-155	0~60°
		156-205	Clockwise infinite rotation
		206-255	Counterclockwise rotation
22	R 1 LED dimming	0-255	R 1 LED dimming
23	G 1 LED dimming	0-255	G 1 LED dimming
24	B 1 LED dimming	0-255	B 1 LED dimming
25	R 2 LED dimming	0-255	R 2 LED dimming
26	G 2 LED dimming	0-255	G 2 LED dimming
27	B 2 LED dimming	0-255	B 2 LED dimming
28
40	R 7 LED dimming	0-255	R 7 LED dimming
41	G 7 LED dimming	0-255	G 7 LED dimming
42	B 7 LED dimming	0-255	B 7 LED dimming

► **51CH Mode**

CH	Function	DMX Value	Description
1	Pan adjustment	0-255	Pan adjustment
2	Pan Fine-tuning	0-255	Pan Fine-tuning
3	Tilt adjustment	0-255	Tilt adjustment
4	Tilt Fine-tuning	0-255	Tilt Fine-tuning
5	Pan/tilt speed	0-255	Speed from fast to slow
6	Zoom	0-255	From narrow to wide
7	Lens rotation	0-155	0~60°
		156-205	Clockwise infinite rotation from fast to slow
		206-255	Counterclockwise rotation from

CH	Function	DMX Value	Description
			slow to fast
8	Dimmer	0-255	Dark to bright linear dimming
9	Strobe	0-3	Strobe dimming
		4-203	Synchronous strobe speed From slow to fast (1 Hz-25 Hz)
		204-255	Random strobe
10	R dimming	0-255	Dark to bright linear dimming
11	G dimming	0-255	Dark to bright linear dimming
12	B dimming	0-255	Dark to bright linear dimming
13	W dimming	0-255	Dark to bright linear dimming
14	Color temperature	0 -15	No function
		16-35	R 100%, G UP, B 0%
		36-55	R DOWN, G 100%, B 0%
		56-75	R 0%, G 100%, B UP
		76-95	R 0%, G DOWN, B 100%
		96-115	R UP, G 0%, B 100%
		116-135	R 100%, G 0%, B DOWN
		136-155	R 100%, G UP, B UP
		156-175	R DOWN. G DOWN. B 100%
		176-195	R 100%, G 100%, B 100%, W 100%
		196-200	2800 K
		201-205	3200 K
		206-210	3500 K
		211-215	4000 K
216-220	4500 K		

CH	Function	DMX Value	Description
		221-225	5000 K
		226-230	5500 K
		231-235	6000 K
		236-240	6500 K
		241-245	7000 K
		246-250	7500 K
		251-255	8000 K
15	Macro color	0-9	No function
		10-23	Macro color 1
		24-37	Macro color 2
	(14numbers 1 macro color)
		234-247	Macro color 16
		248-255	Macro color 17
16	Static Pattern	0-9	No function
		10-19	Monochrome Pattern 1
		20-29	Monochrome Pattern 2
	(10numbers 1 macro color)
		120-129	Monochrome Pattern 12
		130-145	Mixed color Pattern 1
		146-161	Mixed color Pattern 2
	(16numbers 1 macro color)
		226-241	Mixed color Pattern 7
		242-255	Mixed color Pattern 8
17	Dynamic Pattern	0-9	No function

CH	Function	DMX Value	Description
		10-17	Monochrome Dynamic Pattern 1
		18-25	Monochrome Dynamic Pattern 2
	(8numbers 1 macro color)
		170-177	Monochrome Pattern 21
		178-185	Mixed color Dynamic Pattern 1
		186-193	Mixed color Dynamic Pattern 2
	(8numbers 1 macro color)
		242-249	Mixed color Dynamic Pattern 9
		250-255	Mixed color Dynamic Pattern 10
18	Dynamic Pattern speed	0-127	Forward, from fast to slow (with 17 CH)
		128-255	Reverse, from slow to fast (with 17 CH)
19	Back color R	0-255	Dark to bright linear dimming
20	Back color G	0-255	Dark to bright linear dimming
21	Back color B	0-255	Dark to bright linear dimming
22	Back color W	0-255	Dark to bright linear dimming
23	Reset	0-250	No function
		251-255	Reset within 5 s
24	R 1 LED dimmer	0-255	R 1 LED dimming
25	G 1 LED dimmer	0-255	G 1 LED dimming
26	B 1 LED dimmer	0-255	B 1 LED dimming
27	W 1 LED dimmer	0-255	W 1 LED dimming
28
48	R 7 LED dimmer	0-255	R 7 LED dimming
49	G 7 LED dimmer	0-255	G 7 LED dimming

CH	Function	DMX Value	Description
50	B 7 LED	0-255	B 7 LED dimming
51	W 7 LED dimmer	0-255	W 7 LED dimming

► **56CH Mode**

CH	Function	DMX Value	Description
1	Red	0-255	Red dimming
2	Red adjustment	0-255	Red adjustment
3	Green	0-255	Green dimming
4	Green adjustment	0-255	Green adjustment
5	Blue	0-255	Blue dimming
6	Blue adjustment	0-255	Blue dimming
7	White	0-255	White dimming
8	White adjustment	0-255	White adjustment
9	Color temperature	0 -15	No function
		16-35	R 100%, G UP, B 0%
		36-55	R DOWN, G 100%, B 0%
		56-75	R 0%, G 100%, B UP
		76-95	R 0%, G DOWN, B 100%
		96-115	R UP, G 0%, B 100%
		116-135	R 100%, G 0%, B DOWN
		136-155	R 100%, G UP, B UP
		156-175	R DOWN, G DOWN, B 100%
		176-195	R 100%, G 100%, B 100%, W 100%
		196-200	2800 K
		201-205	3200 K

CH	Function	DMX Value	Description
		206-210	3500 K
		211-215	4000 K
		216-220	4500 K
		221-225	5000 K
		226-230	5500 K
		231-235	6000 K
		236-240	6500 K
		241-245	7000 K
		246-250	7500 K
		251-255	8000 K
10	Macro color	0-9	No function
		10-23	Macro color 1
		24-37	Macro color 2
	(14 numbers 1 macro color)
		234-247	Macro color 16
		248-255	Macro color 17
11	Strobe	0-3	Strobe dimming
		4-203	Synchronous strobe speed slow to fast (1 Hz-25 Hz)
		204-255	Random strobe
12	Dimmer	0-255	Dark to bright linear dimming
13	Dimmer adjust	0-255	Dimmer adjustment control
14	Pan adjustment	0-255	Pan adjustment
15	Pan Fine-tuning	0-255	Pan Fine-tuning
16	Tilt adjustment	0-255	Tilt adjustment
17	Tilt Fine-tuning	0-255	Tilt Fine-tuning

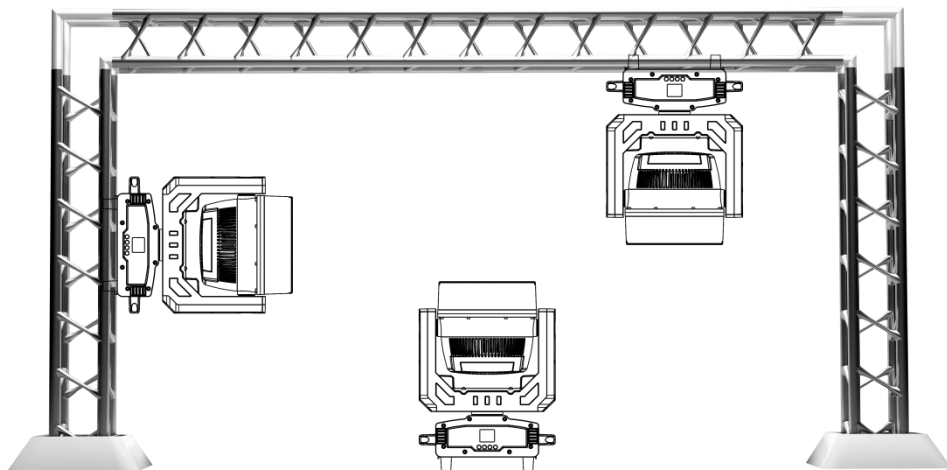
CH	Function	DMX Value	Description
18	Dimming Mode	0-49	Mode -1
		50-99	Mode -2
		100-149	Mode -3
		150-255	Mode -4
19	Reset	0-250	No function
		251-255	Reset within 5s
20	Zoom	0-255	From narrow to wide
21	Lens rotation	0-155	0~60°
		156-205	Clockwise infinite rotation
		206-255	Counterclockwise rotation
22	Rotation Pattern	0-9	No function
		10-17	Monochrome Pattern 1
		18-25	Monochrome Pattern 2
	(8 numbers 1 macro color)
		170-177	Monochrome Pattern 21
		178-185	Mixed color Pattern 1
		186-193	Mixed color Pattern 2
	(8 numbers 1 macro color)
		242-249	Mixed color Pattern 9
		250-255	Mixed color Pattern 10
23	Pattern speed	0-9	No function
		10-132	Forward, from fast to slow (with 22 CH)
		133-255	Reverse, from slow to fast (with 22 CH)
24	Pattern fade	0-255	Pattern effect fade
25	R	0-255	Dark to bright linear dimming

CH	Function	DMX Value	Description
26	G	0-255	Dark to bright linear dimming
27	B	0-255	Dark to bright linear dimming
28	W	0-255	Dark to bright linear dimming
29	Pattern dimming	0-255	Pattern 0-100% dimming
30	Background dimming	0-255	Background 0-100% dimming
31	Pattern change	0-255	Pattern change control
32	Pattern movement	0-255	Pattern movement (with 22 CH)
33	Prospects strobe	0-255	Prospects strobe
34	Background strobe	0-255	Background strobe
35	Pattern selection	0-255	Background selection
36	R 1 LED dimming	0-255	R 1 LED dimming
37	G 1 LED dimming	0-255	G 1 LED dimming
38	B 1 LED dimming	0-255	B 1 LED dimming
39	0-255
54	R 7 LED dimming	0-255	R 7 LED dimming
55	G 7 LED dimming	0-255	G 7 LED dimming
56	B 7 LED dimming	0-255	B 7 LED dimming

8. Mounting

When installing the unit, the trussing or area of installation must be able to hold 10 times the weight without any deformation. When installing the unit must be secured with a secondary safety attachment, e.g. an appropriate safety cable. Never stand directly under the facility while mounting, uninstalling or repairing facilities.

High-altitude mounting requires for extensive experience, including working load limits calculating , installation material, and periodic safety check of installation materials and facilities. If you're lack of mentioned qualifications, do not attempt the installation yourself. These installation should be checked by a skilled person annually.

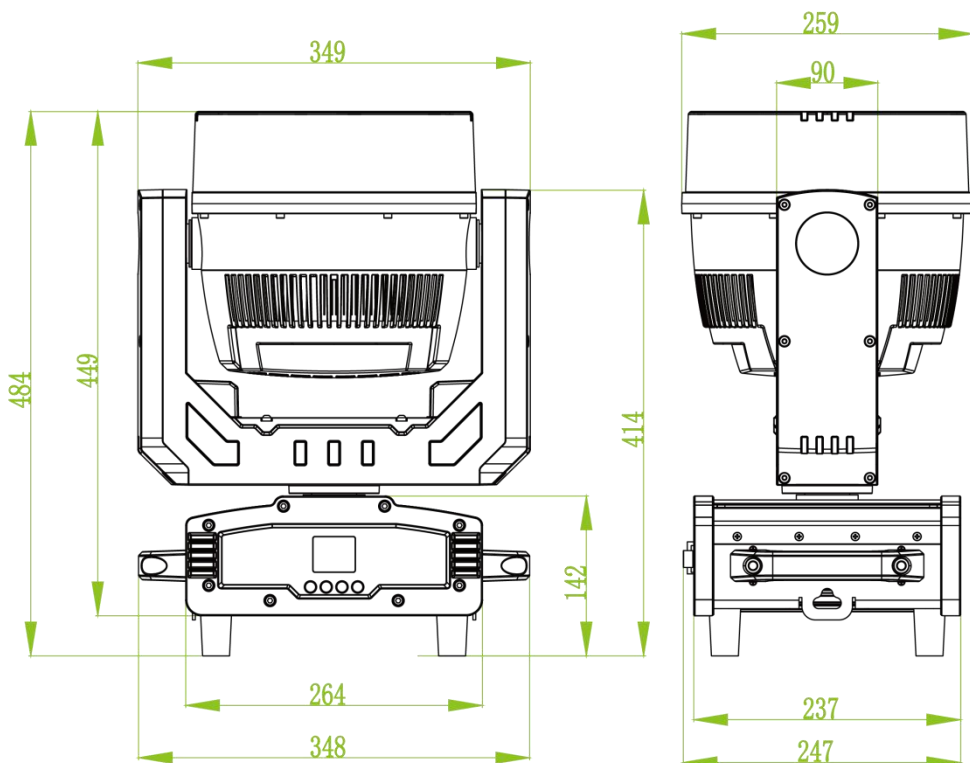


BEYE-760 works properly in above different mounting, hanging upside-down from a ceiling, sideways on trussing, or set on smooth horizontal surface. Be sure this facility is at least 12m (40ft) away from flammable materials

(decoration etc.). Always use and install the safety cable to prevent accidental damage or injury from the facility failure. Never use handles for secondary attachment.

NOTICE: The suitable environment temperature of the facility is from -10°C to 45°C . Do not place this facility in an environment where the temperatures are under or above the temperatures stated. This will help the fixture run at its best and extend the lifetime.

9. Product Size



10. Attention

1. When the facility is powered on, please avoid looking directly at the facility.
2. When assembling/ replacing LED, be sure to cut off the main power of facilities before opening the cover upon the LED board.

11. Trouble Shooting

Following are a few common problems that may occur during operation. Here are some suggestions for easy troubleshooting:

A. The unit does not work, no light and the fan does not work

1. Check the status of power connection and fuse.
2. Check the voltage.
3. Check the power indicator.

B. No response to DMX controller

1. If the display screen flashes, check the DMX signal connector and signal line whether the connection is correct.
1. If the display screen does not flash, but no response to channel control, check whether the address code or channel setting is correct.
1. If the DMX signal transmission is intermittent, check if the XLR and DMX cables are in good condition.
2. Try using another controller.
3. Check if the DMX cables is too close to the high-voltage wire, which may damage or interfere with the signal circuit.
6. The facility has not completed the self-check.

C. One of the channels is not working well

1. The stepper motor might be damaged or the cable connected to the PCB is broken.
2. The motor's drive IC on the PCB might be out of condition.

12. Fixture Cleaning

The lens and diffuser should be clean frequently to get better light effect. Wipe frequency according to the environment. Humidity, excessive smoke, and dirty environment will make lens dusty.

- Use soft cloth and special glass cleaner.
- Wipe lens surface at least every 30 days.
- Use vacuum cleaners or air guns to clean the interior structure of the facility, at least twice a year.



Warning:

To avoid the danger of lighting strikes and fire, please do not place the facility in a humid environment. Do not disassemble it without permission, otherwise, the manufacturer will not provide warranty. If the facility fails, please contact the manufacturer first.

Product Warranty Card

Product: 7*60W 4inI Bee Eye Moving Head

Model NO.: BEYE-760

Manufacture Date:

User:

Purchase Date:

Manufacturer:

Sales Store:

Address:

ATTN.:

ATTN.:

Phone:

Phone:

Note: The above blank must be filled in and sealed by the end user or sales point, otherwise no warranty will be provided. (Below please check the warranty period and terms)

Warranty Period: This facility is warranted for 2 years from the date of purchase.

Warranty Terms:

1. Except for man-made damage and natural disasters
2. If the facility fails to function properly during the warranty period, please contact our after service department or our local distributor directly.
 - 1) Fail to present a valid warranty card.
 - 2) Omissions, alterations, and trade sales names on the warranty card.
 - 3) Failures and damage caused by force majeure.
 - 4) Failures and damage caused during transportation and handling.
 - 5) Failures and damage caused by failure to follow the instructions for use.
 - 6) Failures and damage caused by disassembly, repair, and modification of the product without the manufacturer's authorization or by non-professionals.
 - 7) Failures caused by the use of accessories not approved by the factory or not matched by the factory.

▲ Thank you for reading this manual. Please keep it for future reference.